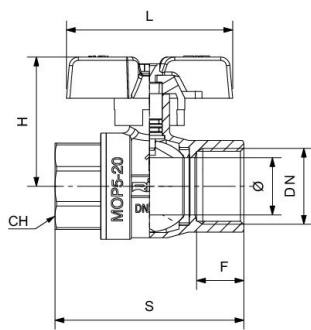




RIV 4194

Ball valve F/F
 full bore
 aluminium sealing butterfly handle

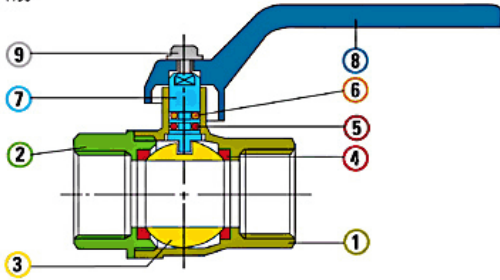
Tech drawings and tables



DN	Code	Ø	H	S	L	F	PN	KG	P/box
1/4"	024194000002	10	38	45	52	12,5	64	0,119	30
3/8"	024194000003	10	40	45	52	12,5	64	0,119	30
1/2"	024194000004	15	45	59	60	17	64	0,210	10
3/4"	024194000005	20	53	69	73	18	40	0,338	10
1"	024194000007	25	57	83	73	22	40	0,527	10

Technical data

Art. 4190



Materials

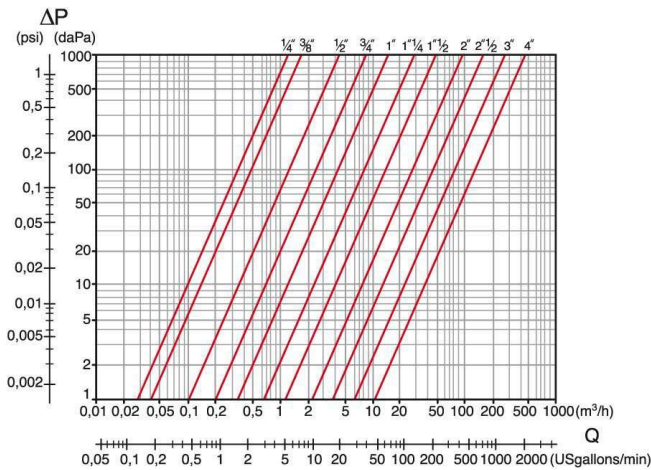
1	Body	Brass	CW617N	Nickel-plated
2	Body end	Brass	CW617N	Nickel-plated
3	Ball	Brass	CW617N	Chrome-plated
4	Seats	P.T.F.E.		
5	O-Ring	FKM		
6	O-Ring	NBR		
7	Stem	Brass	CW614N	
8	Lever	Aluminium		Green
9	Screw	Steel		Zinc-plated

Connections F/F: ISO 7/1Rp (parallel), ISO 7/1Rc (tapered), ANSI B1.20.1 (NPT) - M/F: male ISO 7/1R (tapered), female ISO 7/1Rp (parallel) - M/M: ISO 7/1R (tapered)

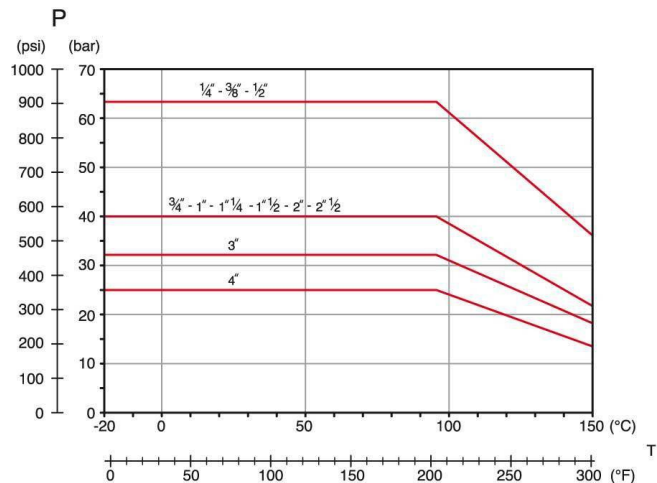
Limit -20°C (without liquid) +150°C

Notes The max.working pressure (PN) means at a room temperature of about 23°C.

Pressure Loss Chart



Temperature/Pressure



Kv & Cv Coefficients

Size	Kv	Cv
1/4"	4,1	4,7
3/8"	6,3	7,3
1/2"	15,5	17,9
3/4"	31,0	36,0
1"	52,0	60,0
1 1/4"	100,0	116,0
1 1/2"	180,0	206,0
2"	350,0	405,0
2 1/2"	350,0	671,0
3"	1000,0	1157,0
4"	1550,0	1793,0